



GXIP-2600

IP console

Code: 596034

Date: 05/2021

Version: 3



Sommaire / Contents

I.	Presentation	2
II.	Terminology	3
III.	Presentation	4
1.	Human-Machine Interface	4
2.	Connectors	4
3.	Mechanical aspects	4
4.	Front panel	5
5.	Right hand side	6
IV.	Installation	6
1.	Built-in version	7
2.	Power supply	7
3.	Network interface	7
V.	Architectures	8
1.	CS-2600 / B3S	8
2.	Serenity Voice / Vulca Voice	8
3.	Connection examples	9
VI.	Configuration	12
VII.	Operation	21
1.	Function keys	21
2.	Configurable keys and lamps	21
3.	Operating procedures	23
VIII.	Characteristics	24
IX.	Recommendations	24

Ce document n'est pas contractuel ; toute modification pouvant intervenir sans préavis / This document is not legally binding, we reserve the right to modify descriptions and specifications without notice.



GXIP-2600

IP console

Code: 596034

Date: 05/2021

Version: 3

I. Presentation

The **GXIP-2600** is a control and voice broadcasting console based on standard IP protocols, enabling it to be integrated into a local computer network (LAN) via a standard Ethernet interface.

The **GXIP-2600** console comprises:

- 1 electret microphone on XLR jack
- 18 programmable keys and corresponding status lamps
- 5 function keys
- 2 general status lamps
- 1 buzzer
- 1 Ethernet interface
- 1 analogue Audio interface
- 1 power supply socket
- 1 table mounting support
- 1 integrated locker

It enables the following functions to be performed:

- Interface with the central systems via an Ethernet-IP network
- Monitor communication with the central systems to which it is connected
- Broadcast messages with or without alert chime
- Trigger Voice Alarm conditions in the corresponding Alarm Zones
- Indicate the good operating status of the microphone cell
- Display the operating status of the corresponding Alarm Zones

The GXIP-2600 console is compliant with the requirements of standard EN54-16.



GXIP-2600

IP console

Code: 596034

Date: 05/2021

Version: 3

Terminology

Line	Basic element that can be selected on a public address system. Physically, a line corresponds to the output from an amplifier. <i>Depending on the power of the output, a line can comprise several loudspeakers. Discriminating selection of loudspeakers is not possible on the same line.</i>
ZL	Line group.
ZA	Alarm Zone = set of lines on which the Voice Alarm is triggered. <i>A central security unit only manages one Alarm Zone, that is all the lines managed by the unit make up this zone.</i>
REG	ZA or ZL group.
Zone	Group of ZL, ZA or REG lines
General call	Selection of all links making up the sound system.
Voice alarm	Broadcasting of evacuation message.



GXIP-2600

IP console

Code: 596034

Date: 05/2021

Version: 3

II. Presentation

1. Human-Machine Interface

18 programmable keys:

- Astable operation
- Integrated blue busy lamp
- Parameter: Line - ZL - ZA – REG
- 1 red lamp: indicates the voice alarm status of the alarm zone associated with the key
- 1 yellow lamp: indicates a fault in the alarm zone associated with the key
- 1 white label zone

5 function keys:

- Voice Alarm – Stop audio signal – Cancel – Mic - General call
- Astable operation
- Integrated blue busy lamp

Others:

- 1 locker supplied with 2 keys (lock all the buttons of the console when activated)
- 1 green “On” lamp to indicate the power on mode.
- 1 red “Fault” lamp summarising all the associated faults
- 1 buzzer to indicate the appearance of a fault (*stopped by pressing the Stop audio signal key*)
- 1 removable electret microphone with monitored cell.
- 1 “lamps test” button

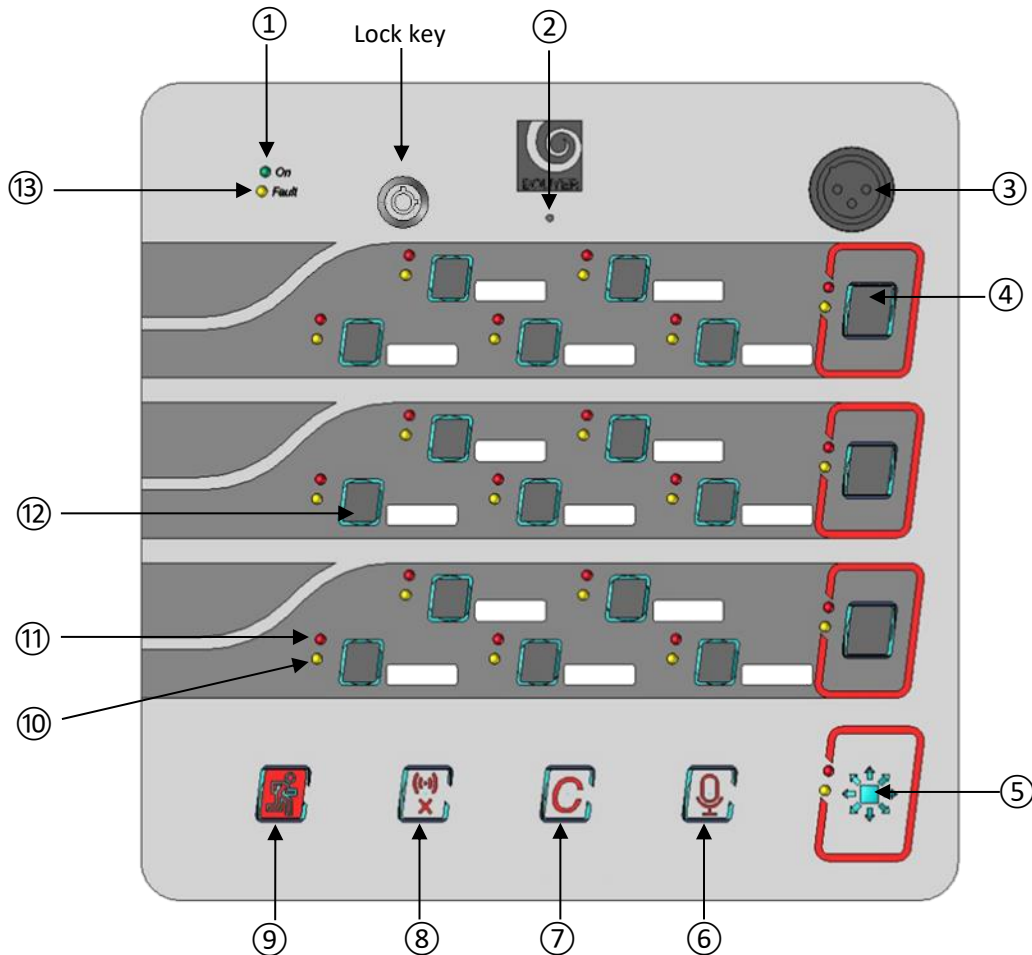
2. Connectors

- 1 female XLR port on the front panel for hand-held or gooseneck electret microphone.
- 1 RJ45 port: Ethernet
- 1 RJ45 port: 24Vdc power supply + 0dB Audio output.
- 1 standard 5.5 mmx2.1mm coaxial port: 24Vdc-700mA power supply

3. Mechanical aspects

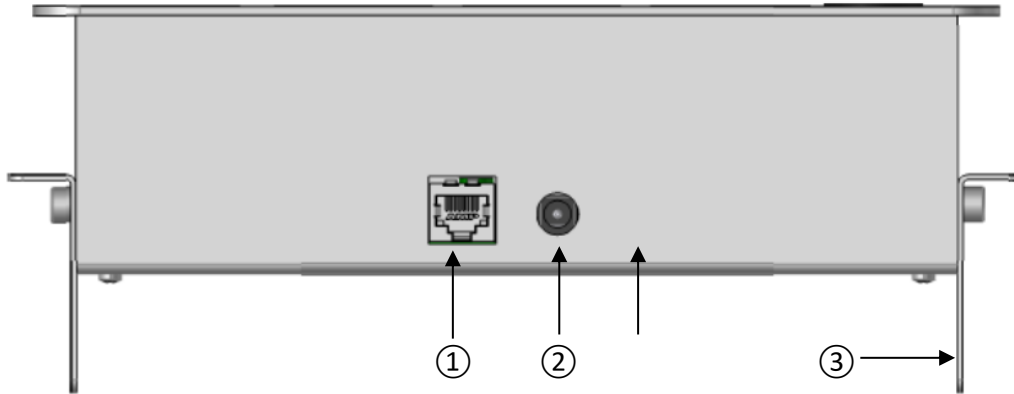
- Built-in sheet metal box, black paint and screen-printed polyester facade.
- Specific base supplied
- Console dimensions (D x W x H)
 - Desk-top: 350 x 280 x 130 mm
 - Built-in: 230 x 230 x 66 mm
- Protection class: IP 30
- Operating temperature range: 0 to 40°C
- Console weight
 - With base: 3.9 kg
 - Without base: 2.5 kg

4. Front panel



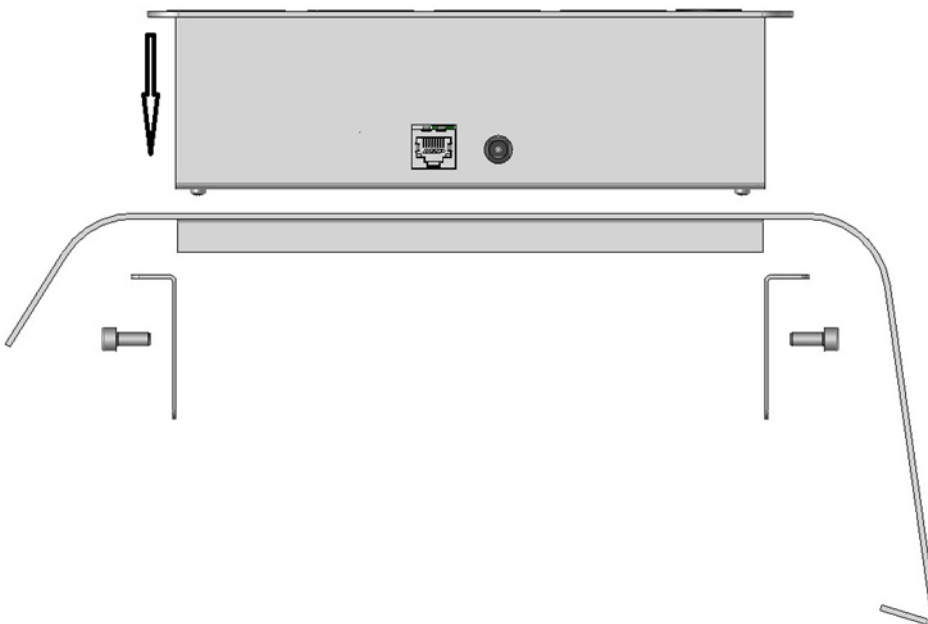
- ① Power on lamp
- ② Lock key
- ③ XLR female port for electret microphone
- ④ Group Select All button
- ⑤ General call button – Buttons group
- ⑥ Mic button
- ⑦ Cancel button
- ⑧ Stop audio signal button
- ⑨ Evacuation button
- ⑩ Fault lamp for ZA associated with button
- ⑪ Voice Alarm status lamp for ZA associated with button
- ⑫ Configured zone selection button (Line-ZL-ZA-REG)
- ⑬ Fault lamp

5. Right hand side



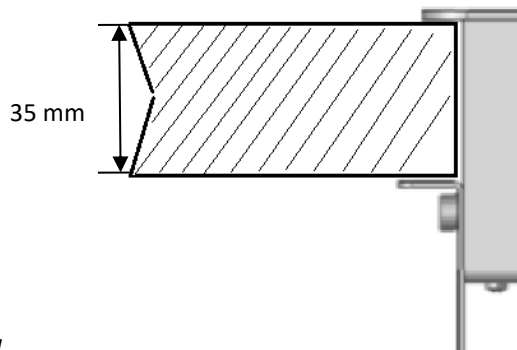
- ① RJ45 Ethernet port
- ② Coaxial power supply port + 24 VDC
- ③ Mounting bracket

III. Installation



1. Built-in version

- Opening cut-out L x w = 215 x 215 mm
- Material thickness: 1 to 35 mm



Caution!

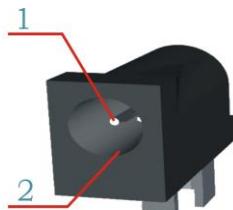
The device must not be exposed to running or splashing water.

2. Power supply

The GXIP-2600 requires a 24 VDC power supply capable of supplying at least 700 mA.

It can be supplied by:

- central coaxial port



Pin Nr	Function
1	+24V
2	GND

3. Network interface

The GXIP2600 interfaces directly with a switch type network element:

- Management of dialogue protocol with central systems
- Sound transport by IP encapsulation
- RJ45 port: use of a straight or crossed STP cable CAT5 or higher



GXIP-2600

IP console

Code: 596034

Date: 05/2021

Version: 3

IV. Architectures

The GXIP2600 can interface with the following central systems:

- CS-2600-B3S
- Serenity Voice
- Vulca Voice

1. CS-2600 / B3S

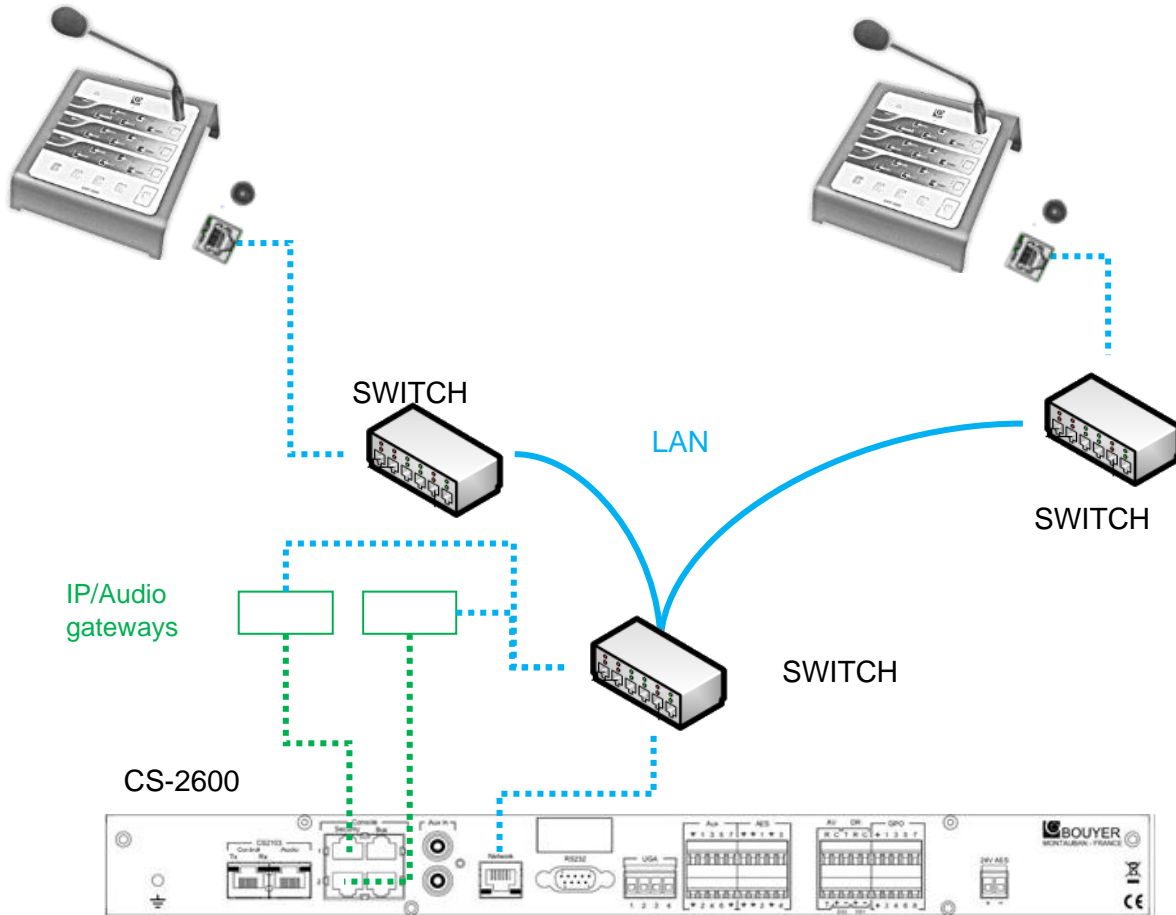
Characteristics	Details	Comments
CS-2600 software version	V0_97_23 and higher	
Max. nbr of units per console	15	
Max. nbr of consoles per CS2600	2	Inputs used Security 1 / Security 2
IP stream decoding	IP sound gateways	

2. Serenity Voice / Vulca Voice

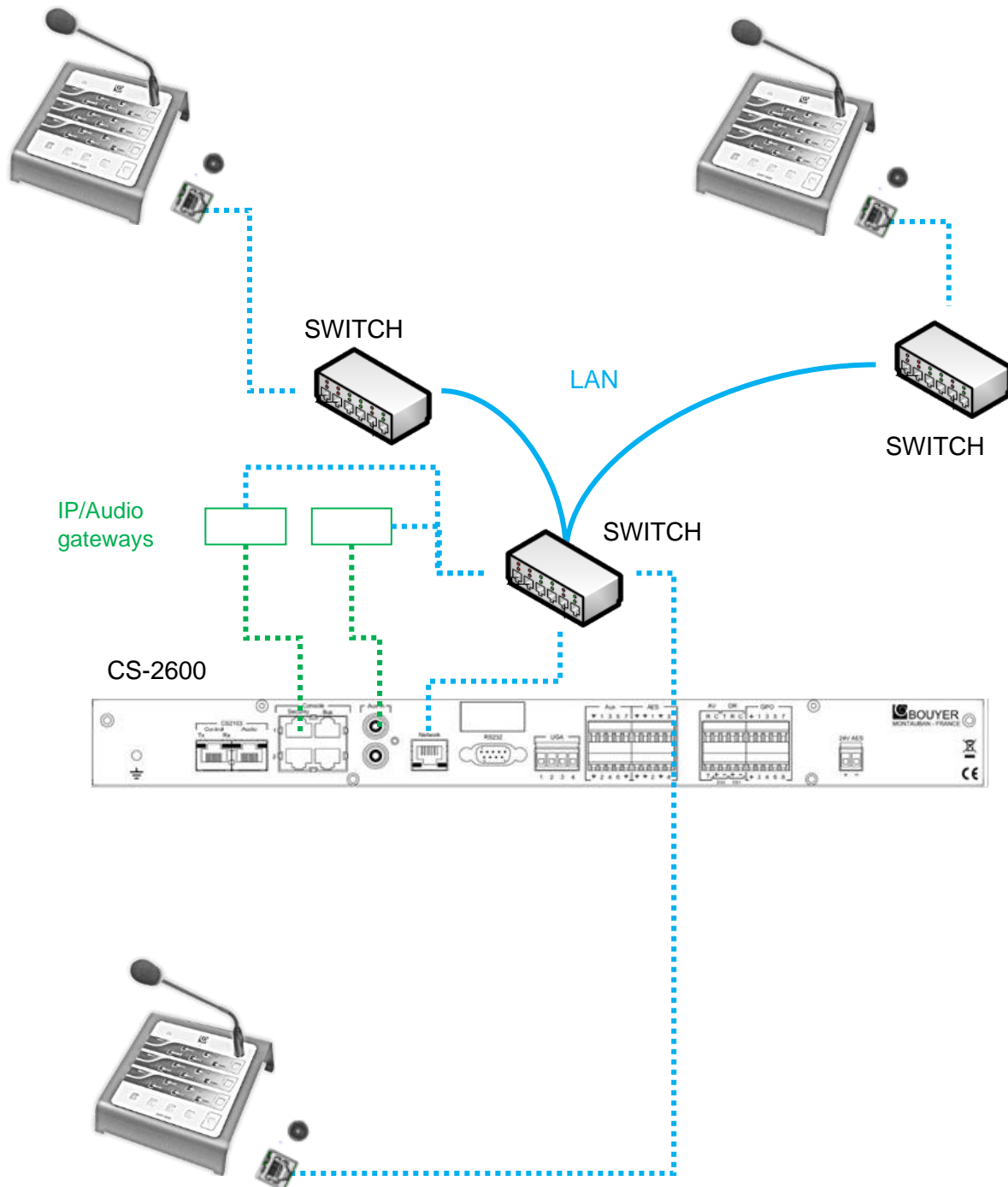
Characteristics	Details	Comments
Compatible units	All references ending with '-I'	
Max. nbr of units per console	15	
Max. nbr of consoles per unit	2	Inputs used Security 1 / Security 2
IP stream decoding	Integrated 2-stream	

3. Connection examples

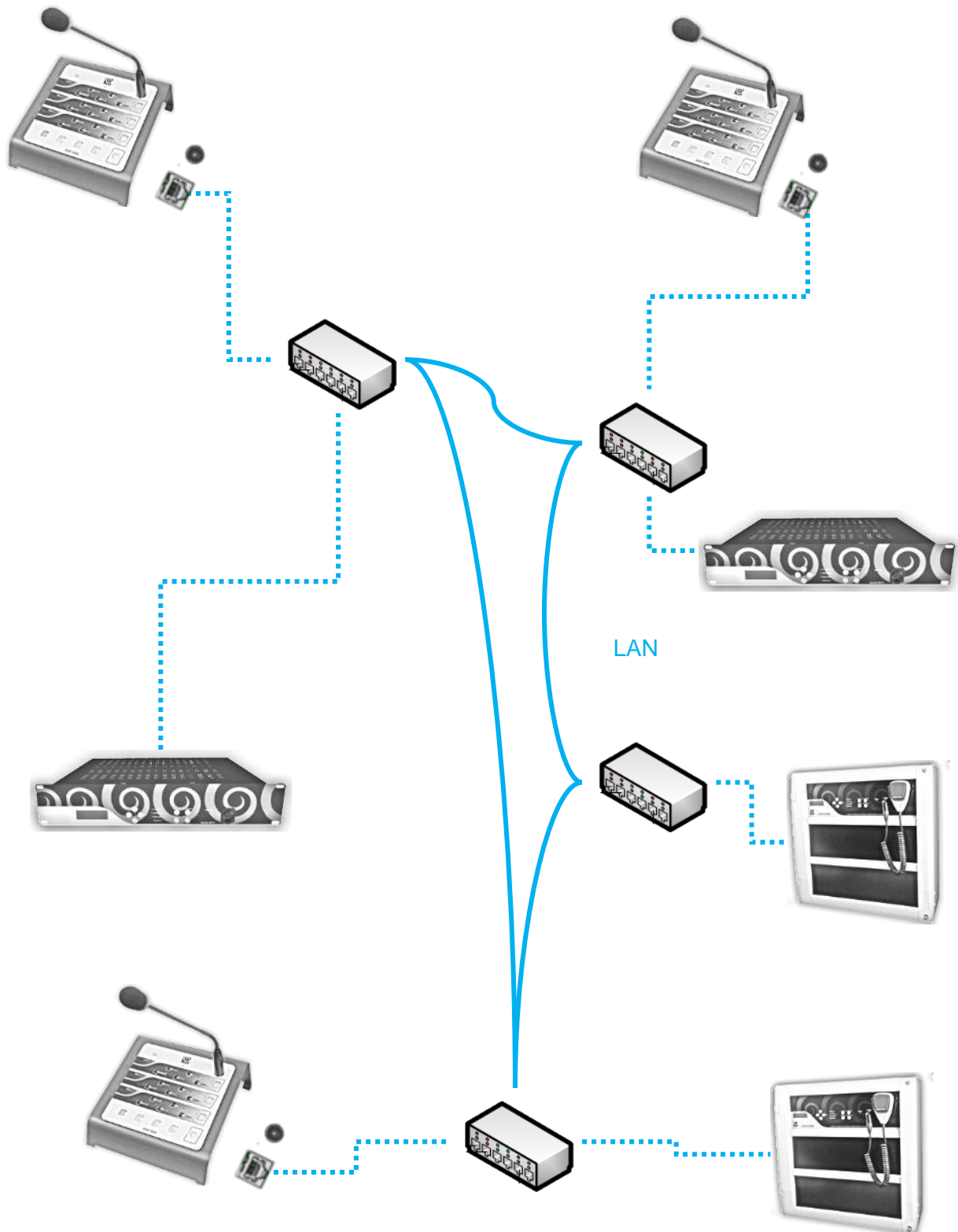
EXAMPLE 1: With CS-2600 via existing network (power supplies not shown)



EXAMPLE 2: On B3S with 1 console connected in analogue audio distance from CS-2600 < 20 m



EXAMPLE 3: *Vulca Voice and Serenity Voice*





GXIP-2600

IP console

Code: 596034

Date: 05/2021

Version: 3

V. Configuration

1. Bouyer Discover Tool

With Bouyer Discover Tool program, all Bouyer IP devices are automatically detected.

Once launched, below interface appears.

Then click on **Discover** (in the lower bar) to display the devices present on the network. It is now possible to select the product to configure by clicking on it, then on **Settings**.

Type	Ip Address	Mac Address	User ID
CS2600	192.168.10.88	58:48:C0:00:E5:2A	
CS2700	192.168.10.30	58:48:C0:00:76:53	
CS2700	192.168.10.31	58:48:C0:00:E9:FF	
CS2700	192.168.22.3	58:48:C0:00:03:CD	
GXIP-BNS	192.168.22.2	00:14:2D:61:E1:C4	GXIP
RP2020NW	192.168.10.119	00:14:2D:2D:6B:C4	RP-2020-NW
TA4100	192.168.10.26	00:14:2D:2B:66:98	Show Room - Vulca
TA4100	192.168.10.92	00:14:2D:61:E2:6A	TA salle serveur
TA4100	192.168.10.23	00:14:2D:2C:6A:53	Show Room - PC
TA4100	192.168.10.24	00:14:2D:2C:6D:07	
TA4100	192.168.10.77	00:14:2D:2B:66:DC	
RB2036-IP	192.168.10.74	00:14:2D:2F:28:08	
TA4100	192.168.10.97	00:14:2D:2C:AD:4B	
TA4100	192.168.0.30	00:14:2D:2D:6B:81	

Buttons: Clear, Identification, Settings, Discover Loop, Discover

A web page with the configuration interface (similar to the one below) will then be launched automatically:

BOUYER
Le son en toute sérénité

Référence PRODUIT : GXIP-BNS

INTERFACE de CONFIGURATION

- Général
- Régions
- Touches
- Voyants
- Interface Web
- Services Réseau
- Interface Réseau
- Export/Import Config
- Mise à jour
- À propos

Identifiant GXIP: GXIP

Port du service Json: 6969

Timeout Curl: 5

ecsav_polling_max_no_respon: 3

Volume du micro: [Slider]

Volume du carillon: [Slider]

Désactiver le buzzer:

Adresse IP: 224.1.0.82

Port: 5004

Type: PCM 16 bit 44100 Hz Mono

Duree de trame (ns): 0



GXIP-2600

IP console

Code: 596034

Date: 05/2021

Version: 3

From Bouyer Discover Tool, you can also :

- Easily locate the selected product in its environment by clicking on the Identification button in the lower bar. The "On" LED of the console targeted will then flash rapidly in green for 20 s to be able to identify it.
- Clear all the devices detected by the Bouyer Discover Tool, by clicking on the Clear button
- The Discover Loop button automatically refreshes the list of devices on the network at regular intervals

2. Configuration interface (web HMI)

In this part, we will describe the different tabs of the configuration interface that allows you to customize the GXIP-2600 console and its operation.

a) "Général" tab (general information about the console):

BOUYER
Le son en toute sérénité

Référence PRODUIT : GXIP-BNS

INTERFACE de CONFIGURATION

Général	Régions	Touches	Voyants	Interface Web
Services Réseau	Interface Réseau	Export/Import Config	Mise à jour	À propos

Identifiant GXIP: GXIP

Port du service Json: 6969

Timeout Curl: 5

ecsav_polling_max_no_respon: 3

Volume du micro: [Slider]

Volume du carillon: [Slider]

Désactiver le buzzer:

Adresse IP: 224.1.0.82

Port: 5004

Type: PCM 16 bit 44100 Hz Mono

Duree de trame (ns): 0

Below is the detail of the different fields available :

- Identifiant GXIP : corresponds to the "User ID" indicated in Bouyer Discover Tool and allows the console to be easily identified by naming it
- Port du service Json : 6969 is the port by default used by our JSON service to manage audio streams and data
- Timeout Curl : Maximum time in seconds for sending a command to another device
- VACIE_polling_max_no-response : number of new tests made if no response from the VACIE for sending the command
- Volume du micro : Adjusting the volume of the console
- Volume du carillon : Adjusting the volume of the console chime
- Désactiver le buzzer : If selected, the buzzer do not ring in case of default
- Adresse IP : IP address for broadcast to other devices
If a multicast broadcast is chose, the range is 224.0.0.0 to 239.255.2555.255
- Port : Port associated to the IP adress



GXIP-2600

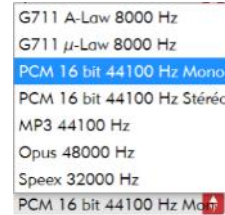
IP console

Code: 596034

Date: 05/2021

Version: 3

- Type : Audio format of the stream broadcast to other devices
(Select for example PCM 16 bits 44100 Hz Mono to communicate with CS-2600)
- Durée de trame (ns) : Zero by default



To validate all the changes made, click on , to cancel them, click on

b) "Régions" tab (tab to configure the exchanges with the different VACIE core units present on the system) :

Le son en toute serenite

INTERFACE de CONFIGURATION

Navigation: Général, Régions, Touches, Voyants, Interface Web, Services Réseau, Interface Réseau, Export/Import Config, Mise à jour, À propos

Buttons: +, ✓, ✗

Region

Identifiant	HILT
ECSAV	+
Identifiant	CS2700
IPAdress	192.168.22.3
commandPort	6969
Lignes HP	+
Identifiant ligne HP	1
Identifiant ligne HP	2
Identifiant ligne HP	3
Identifiant ligne HP	4
Identifiant ligne HP	5

Buttons: ✓, ✗

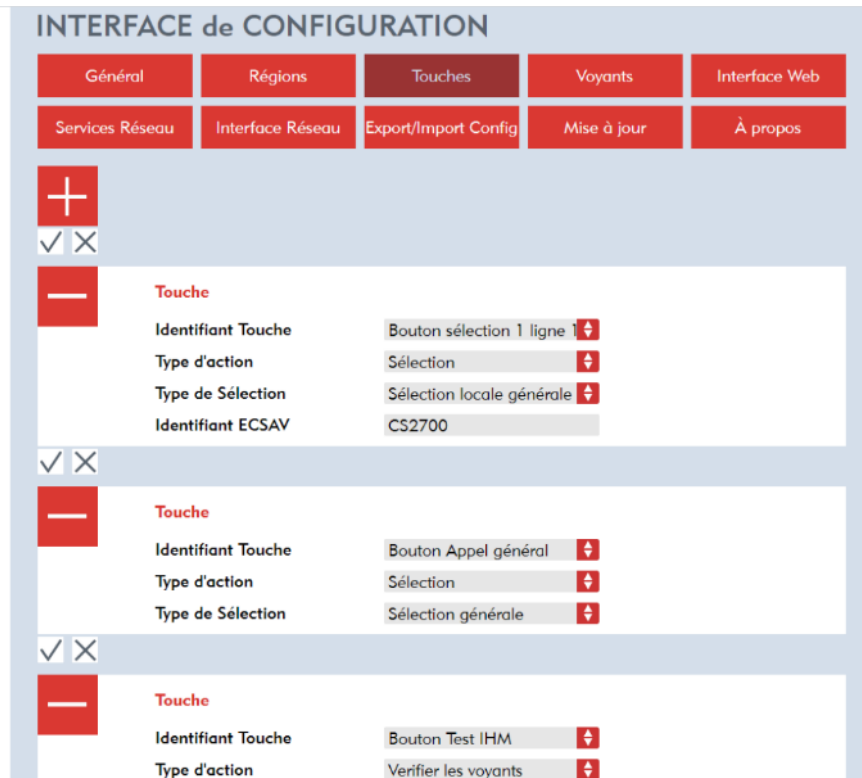
To note : a "Région" is a set of VACIE. It is possible to create more than one "région".


To create a new one, click on **+** on the left top of the interface. Same to create a new VACIE, click on **+** written on the same line as "ECSAV".

Below is the detail of the different fields available :

- Identifiant : name of the VACIE (must match with the name configurate on the VACIE itself)
- Adresse : IP adress of the VACIE
- commandPort : 6969 by default, JSONO port to use in the VACIE configuration
- Lignes HP : by clicking on **+** it is possible to add speakers' lines to match with the configuration done in the VACIE itself.

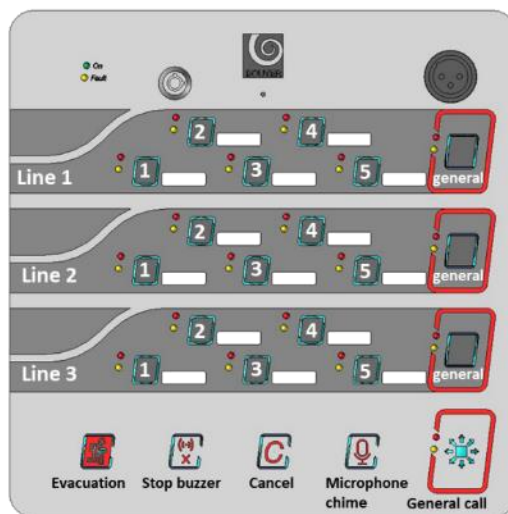
c) **“Touches” tab (tab to configurate the 23 buttons available on the console) :**



To create a new one, click on  the left top corner.

Below is the detail of the different fields available :

- Identifiant Touche : corresponds to the button you want to configurate. See the diagram below for more details.



- Type d'action : corresponds to the action you want to perform with this button.



GXIP-2600

IP console

Code: 596034

Date: 05/2021

Version: 3

Below is the list of the different actions available:

Annuler la sélection = cancel the selection made previously

Alarme Vocale = start voice alarm

Vérifier les voyants = allows you to test that all the LEDs on the console are functional

Microphone = pressing and holding the button activates the microphone

Carillon et microphone = same action as "Microphone" with the chime in addition activated

Reset le buzzer = stop the buzzer

Reset les défauts = clears the faults indicated on the console

Sélection = selection action

If "Sélection" action has been chosen, below fields are available :

- Type de sélection : indicates the targeted zone.

Below is the list of selection available :

Sélection Ligne HP= select only 1 speaker line on a defined VACIE (the "identifiant ECSAV" to indicate corresponds to the name of the targeted VACIE / the "ligne HP" to indicate corresponds to the targeted speaker line)

Sélection Locale = select more than one speaker line on the defined VACIE (the "identifiant ECSAV" to indicate corresponds to the name of the targeted VACIE / the "zone" to indicate corresponds to the targeted zone)

Sélection locale générale = select all the lines of a defined VACIE

Sélection region = select one "région"

Sélection générale = select all the "régions"

d) "Voyants" tab (tab to configurate all the LEDs present on the console) :

INTERFACE de CONFIGURATION

Général | Régions | Touches | **Voyants** | Interface Web

Services Réseau | Interface Réseau | Export/Import Config | Mise à jour | À propos

Voyant

Identifiant Voyant: Voyant bleu bouton 1 ligne

Type de Voyant: Sélection

Type de Notification de sélection: Notification Occupant

Type de sélection: Sélection Appel Général

Identifiant ECSAV: CS2700

Voyant

Identifiant Voyant: Voyant bleu appel générale

Type de Voyant: Sélection

Type de Notification de sélection: Notification Occupant

Type de sélection: Sélection Système Générale



GXIP-2600

IP console

Code: 596034

Date: 05/2021

Version: 3

The operation of the LEDs is similar to the one of the buttons. The difference lies in the fact that the LEDs allow you to have notifications (LED lights up) when the buttons are used to perform actions.

To create a new one, click on  on the top left.

Below is the detail of the different fields available:

- Identifiant Voyant : corresponds to the LED you want to configure. Most buttons have a yellow LED and a red LED. The blue LED is the backlight of the button itself.
- Type de voyant : corresponds to the notification you want to associate with the LED.

Below is the list of the notifications available :

Défaut de communication = in the event of a communication fault with a VACIE, the LED lights up
Défaut pupitre = in the event of a fault with the console, the LED lights up
Appel microphone = in the event of a microphone call, the LED lights up
Appel microphone avec carillon = in the event of a microphone call with chime, the LED lights up
Défaut microphone = in the event of microphone fault, the LED lights up
Sélection = in the event of a selection, the LED lights up
Défaut système = in the event of a system fault, the LED lights up

If "Sélection" is chosen, below fields are available :

- Type of selection notification

Below are the different types of notification possible:

Notification Alarme vocale (voice alarm notification)

Notification Défaut (fault notification)

Notification Occupant ("busy" notification)

- Type de sélection : indicates the targeted zone.

Below are the different types of selection available:

Sélection Ligne HP= select only 1 speaker line on a defined VACIE (the "identifiant ECSAV" to indicate corresponds to the name of the targeted VACIE / the "ligne HP" to indicate corresponds to the targeted speaker line)

Sélection Locale = select more than one speaker line on the defined VACIE (the "identifiant ECSAV" to indicate corresponds to the name of the targeted VACIE / the "zone" to indicate corresponds to the targeted zone)

Sélection Appel Général = select all the lines of a defined VACIE (the "identifiant ECSAV" to indicate corresponds to the name of the targeted VACIE)

Sélection Region = select one "région" (the "identifiant Région" to indicate corresponds to the name of the targeted "région")

Sélection Système Général = select all the "régions"



GXIP-2600

IP console

Code: 596034

Date: 05/2021

Version: 3

e) **“Interface Web” tab (tab to manage the access to the web HMI interface) :**

BOUYER
Le son en toute sérénité

Référence PRODUIT : GXIP-BNS

INTERFACE de CONFIGURATION

Général Régions Touches Voyants Interface Web

Services Réseau Interface Réseau Export/Import Config Mise à jour À propos

WWW. Activé
Port 80
Utilisateur
Mot de passe

Below is the detail of the different fields available:

- Activated: the web configuration interface is active and therefore accessible. If not checked, it will no longer be accessible at all
- Port: network port associated with the configuration interface
- User: user name to be specified so that access to the configuration interface is protected
- Password: password to be specified so that access to the configuration interface is protected

f) **“Services Réseau” tab (tab to manage the network services of the console)**

BOUYER
Le son en toute sérénité

Référence PRODUIT : GXIP-BNS

INTERFACE de CONFIGURATION

Général Régions Touches Voyants Interface Web

Services Réseau Interface Réseau Export/Import Config Mise à jour À propos

Web Service de configuration

Activé
Port 8080
Utilisateur bouyer
Mot de passe

Client NTP

Activé
Port 123
Adresse Serveur 216.239.35.8
Rafraîchissement (en heure) 24
Fuseau horaire Europe/Paris



GXIP-2600

IP console

Code: 596034

Date: 05/2021

Version: 3

The "Web service de configuration" part allows you to activate and protect or not access to the configuration interface by a web service. The available fields are the same as those in the previous paragraph.

The NTP client allows automatic date and time synchronization with a remote server.

In the example above, the NTP service is activated with a remote NTP server and allows the date and time to be automatically retrieved and refreshed every 24 hours for the "Europe / Paris" time zone.

It is possible to use another server with your own settings.

g) "Interface Réseau" tab (tab to configurate the network parameters of the console)

BOUYER
Le son en toute sérénité

Référence PRODUIT : GXIP-BNS

INTERFACE de CONFIGURATION

Général	Régions	Touches	Voyants	Interface Web
Services Réseau	Interface Réseau	Export/Import Config	Mise à jour	À propos

	Identifiant utilisateur	GXIP
	Adresse IP	192.168.22.2
	Masque réseau	255.255.255.0
	Passerelle	192.168.0.254
	Serveur DNS 1	8.8.8.8
	Serveur DNS 2	4.4.4.4
	DHCP Actif	<input type="checkbox"/>
	Adresse MAC	00:14:2D:61:E1:C4

✓ ✕

Below is the detail of the different fields available:

- Identifiant utilisateur : corresponds to the network interface name
- Adresse IP : setting the IP address of the console on the network
- Masque réseau : setting the network mask address
- Passerelle réseau : setting the network gateway address
- Serveur DNS 1 / 2 : DNS server setting
- DHCP actif : if active, the console's IP address will automatically change depending on your network system
- Adresse Mac : "Serial number" of the console, unique identifier



GXIP-2600

IP console

Code: 596034

Date: 05/2021

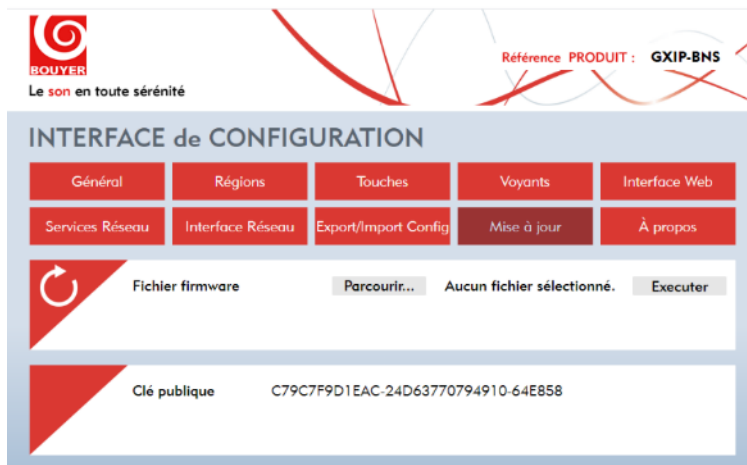
Version: 3

h) "Export/import config" tab (tab to configurate import/export configuration files)



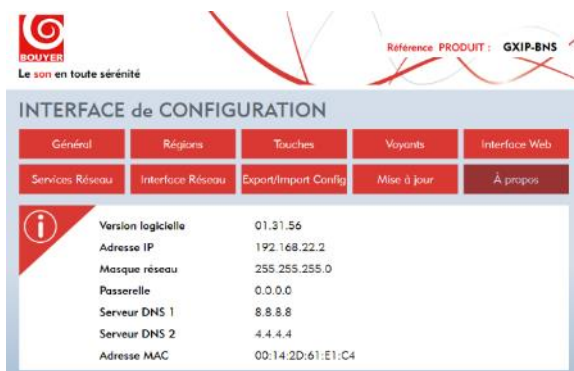
This tab allows you to import a configuration already made on another console, for example, and also to export the current configuration to save it.

i) "Mise à jour" tab (tab to update console firmware)








This tab allows you to import a firmware update for the console and run it.

j) "À propos" tab (tab to summarize different information regarding the console)






VI. Operation

1. Function keys

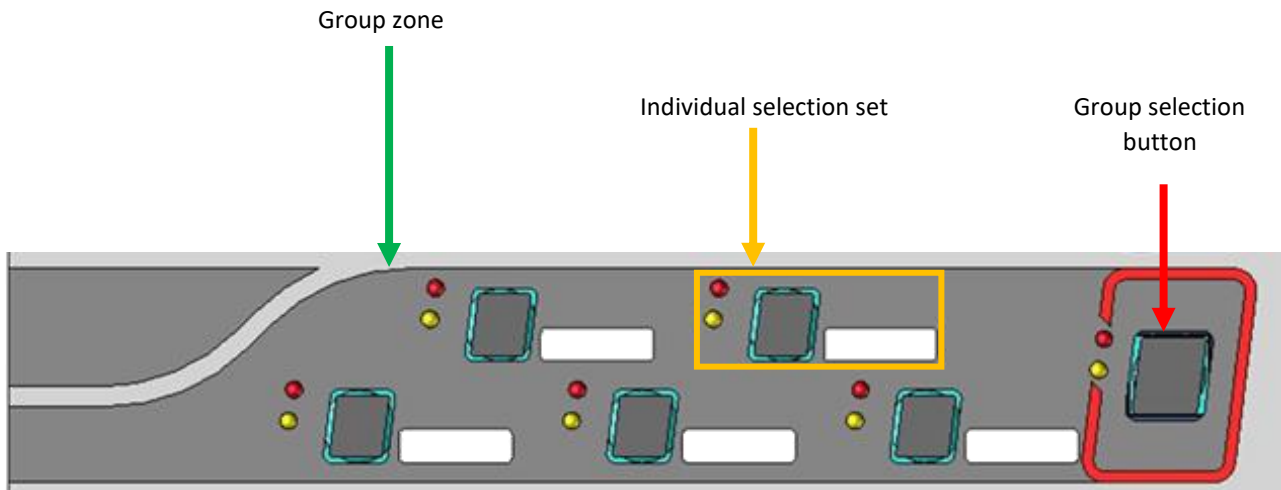
Key	Function
	Evacuation Triggers/stops broadcasting of the evacuation message on the selected ZAs
	Stop audio signal Stops the audio signal indicating appearance of a fault with steady lighting of the fault lamps
	Cancel Cancels the current selection
	Mic Triggers the chime (if configured) and enables the spoken message to be broadcast (Mic)
	AG Selects all the configured selection buttons

2. Configurable keys and lamps

a) Elements

Lamp	Function
	Voice alarm Gives the Voice Alarm condition of the ZA of the corresponding selection <i>Flashing = in progress triggered by another peripheral</i> <i>Steady = in progress triggered by the console</i>
	Fault Fault present in the ZA of the corresponding selection <i>Flashing = appearance</i> <i>Steady = acknowledged on the console after pressing Stop audio signal</i>
	Back-lit button Indicates selection of the button and the corresponding zone (<i>Blue</i>)

b) Group



The group can represent:

- 1 ZL that is 1 set of lines
- 1 ZA that is 1 set of ZLs
- 1 REG that is 1 set of ZAs

The group selection button can be used to select the ZL, the ZA or the REG configured and all the corresponding group buttons.

To select: press the group button

- Button back-lit steady

To deselect the group: press the group button or the Cancel button

- Button unlit

c) Individual selection set

The individual selection set comprises the 3 elements described above in the zone associated with the button by configuration

The individual selection set can represent:

- 1 Line
- 1 ZL that is 1 set of lines
- 1 ZA that is 1 set of ZLs

The selection button can be used to select the Line, the ZL, or the ZA configured.

- To select, press the button
 - Button back-lit steady
- To deselect: press the button
 - Button unlit



GXIP-2600

IP console

Code: 596034

Date: 05/2021

Version: 3

3. Operating procedures

a) Broadcasting a message to one or more zones

- Select the zone(s): press the corresponding button(s)
- Press and hold the Mic button
 - Mic button flashing: Chime being broadcast
 - Mic button lit steady = Speak
- At the end of the message release the Mic button
- Press the Cancel button to deselect the zone(s).

b) Voice Alarm Broadcast

- Select the ZA(s): press the corresponding button(s)
- Press the Evacuation button
 - The red and blue lamps for the ZAs selected flash.
 - Only the Mic and Evacuation buttons are active

To broadcast a spoken message:

- Press and hold the Mic button
 - Mic button flashing: Chime being broadcast
 - Mic button lit steady = Speak
- At the end of the message release the Mic button
 - To stop the broadcast: press the Evacuation button
 - Press the Cancel button to deselect the zone(s).



GXIP-2600

IP console

Code: 596034

Date: 05/2021

Version: 3

VII. Characteristics

HMI		
Mic	Electret-gooseneck-XLR	Unidirectional
Buttons	23	With backlighting
Lamps	63	
Buzzer	1	
Microphone		
Cell	Electret	
Bandwidth	80-18 kHz	
Sensitivity	-46 dB	
Directivity	Cardioid	
Audio output		
Connectors	RJ45	Straight STP CAT5 cable
Level	0 dBm	Galvanic isolation
Bandwidth	80 – 18 KHz	
SNR	85dB	
Distortion	< 1% @1 KHz	
Network		
Connectors	RJ45	STP CAT5 cable
Type	100BASE-TX/10BASE-T	100 Mbit/s max
IP sound	PCM L16 mono / 44.1 KHz	706.5 Kbit/s
Power supply		
	Supplied 230 VAC-24 VDC	
Voltage	24 VDC	
Consumption	700 mA max	
Connectors	Coaxial jack	Ø 5.5 x Ø 2.1 mm
Operating temperature	0 to 40°C	
Mechanical aspects		
Protection class	IP30	
Front panel finish	Screen-printed polyester film	
Optional base	Frosted graphite finish grey steel base	
Dimensions (D xW x H)	console 230 x 230 x 66 mm	base 350 x 280 x 130 mm
Panel cut-out for built-in version	215 x 215 mm	
Console weight	2.5 kg	
Console weight with base	3.9 kg	

VIII. Recommendations



At the end of the product's life, if installed on French territory (including overseas), please contact BOUYER to organise its destruction in accordance with the WEEE directive. If not, please apply the local regulations of the country in which the product is installed.

BOUYER INDUSTRIE

1270, avenue de Toulouse
82000 Montauban – France

Tel: +33 (0)5 63 21 30 00
Fax: +33 (0)5 63 03 08 26

bouyerfrance@bouyer.com
www.bouyer.com