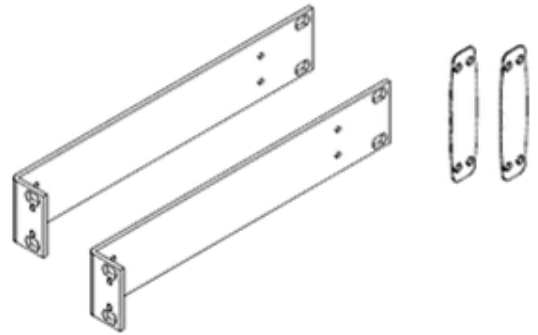
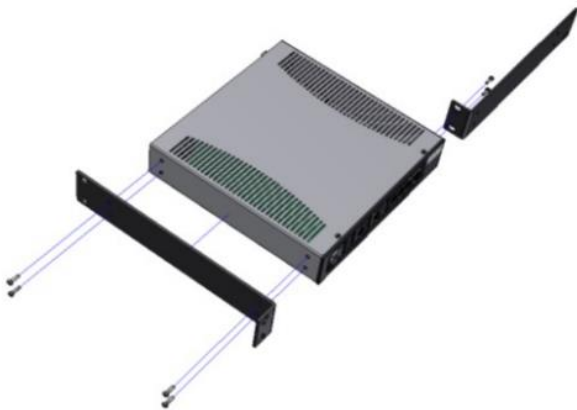


Key points

- 🌀 19" rack or wall mounting metal kit
- 🌀 Compatible with BIM-250M2 / BIM-450M2 / BIM-1000M2
- 🌀 Can fit up to 2 amplifiers with 1 kit
- 🌀 Fixations and screws supplied



Example to rack 1 amplifier



Example to rack 2 amplifiers



Example to mount 1 amplifier on a wall

