

RB-5035

Speakers

Projector loudspeaker



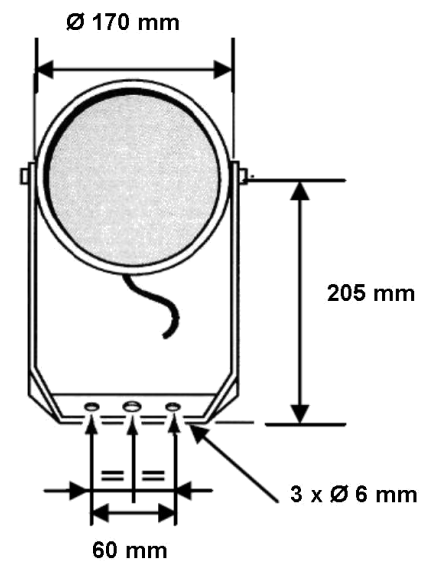
- Superior acoustic quality
- High intelligibility
- Protection index IP 55
- Multipurpose and inconspicuous
- Easy and quick installation

The **RB-5035** is a 20W projector-type speaker fitted with a dual cone loudspeaker.

Having a wider frequency band and directivity, it is ideal to cover large areas.

Its fixing device makes its orientation easy and guarantees a simple and quick installation : wall-mounting or ceiling-mounting.

Its body out of ABS is perfect for harsh environments and ensures an enduring and resistant installation. It can thus be installed in any type of environment.



Caractéristiques

Loudspeaker		Dual cone
Powers	Nominal 20W	20 - 10 - 5W
Frequency band		130Hz - 19kHz
SPL	94dBA/1W/1m	107dBA/20W/1m
Directivity -6dB		120°
Dimensions		170 x 245 mm
Color	White	RAL 9016
Material		ABS
Weight		1,8Kg

Applications

Humid places.....

Music.....

Speech.....

Campings

Exhibition halls

Technical rooms

Car parks

Railways platforms

Urban roads

