

PS-630

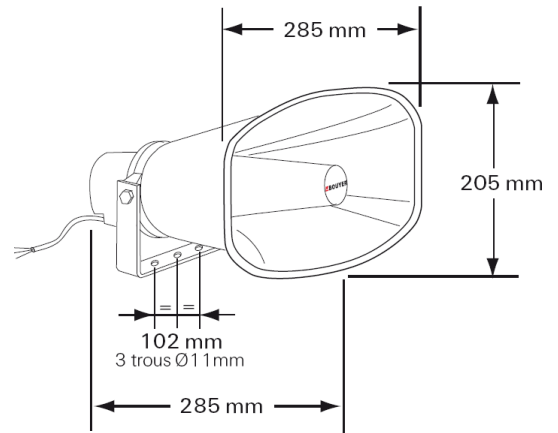
Intercommunication Power substation



- 🌀 Power substation
- 🌀 Noisy areas
- 🌀 IP 54 protection index

The **PS-630** is a horn-loudspeaker-type intercom remote station. Its high performance ensures perfect speech reproduction over long distances and excellent sound distribution in noisy areas.

Made out of ABS, it is weather and shock resistant and can therefore be used anywhere outside. Its fixing device makes easier its orientation and ensures quick and easy installation.



Features

Power		15W nominal
Frequency band		400Hz-5kHz
Impedance		50-60Ω
Directivity-6dB	Vertical : 50°	Horizontal : 70°
Dimensions		285 x 285 x 205 mm
Color	White	RAL 9010
Material	Horn : ABS	Brackets : Aluminium
Weight		1,8 kg

Applications

- ▶ Workshops
- ▶ Warehouses
- ▶ Car parks
- ▶ Extraction sites
- ▶ Plants

