

AP-104

Power Preamplifier

Made in
France



- Remote panel
- 4 inputs
- Priority management
- Parallel mounting
- Easy and quick installation

The **AP-104** preamplifier is a wall mounting remote panel to be surface or flush mounted.

Provided with 4 inputs (2 MIC and 2 AUX), it locally provides :

- mixing or prioritization through modulation detection
- input volume adjustments
- operation secured through a key device.

Several panels can be installed in parallel.

The **AP 104** is therefore an easy answer to your needs for an independant zone in any sound system.

Features

MIC inputs	2 XLR bal.	-55dB
AUX inputs	2 RCA stereo	-10 dB
Output	On internal terminal	0dB
Power supply	24V	50mA
Dimensions	145 x 145 x 45 mm	
Color		Black
Material		Metal
Weight		1Kg

Applications

Public Address system..... 

- Shops
- Camping places
- Schools, Institutes, Colleges
- Places of worship
- Swimming pools
- Multisport rooms
- Supermarkets
- Town streets

This item is delivered with surface-fixing base. Power supply is not included.



Front view

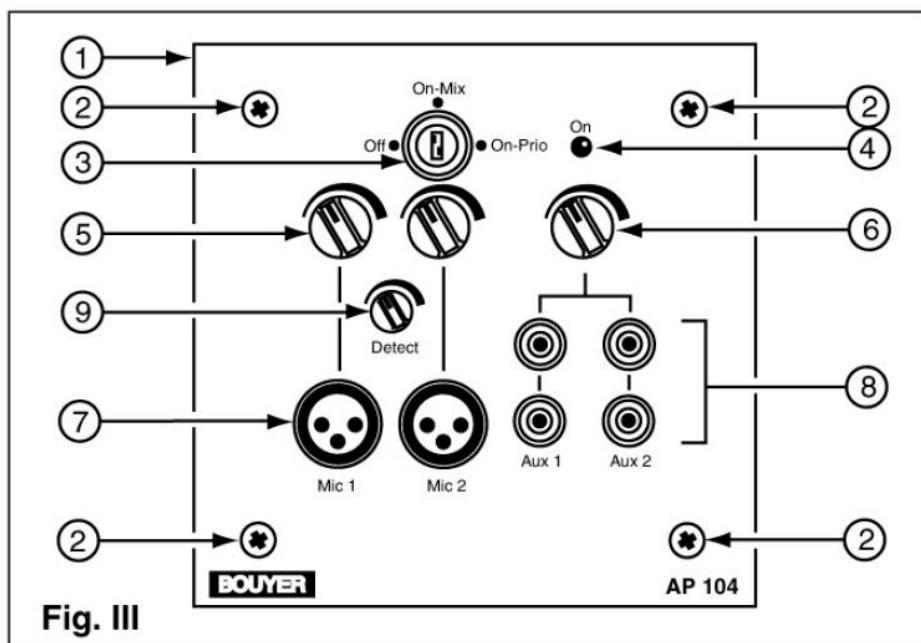
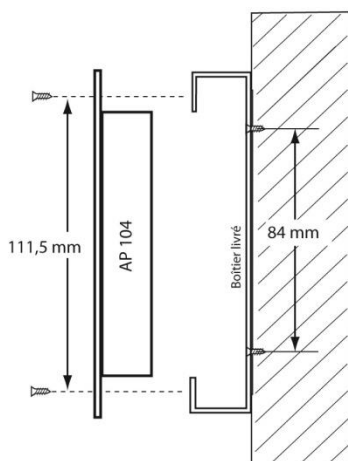


Fig. III

- | | |
|---|-------------------------------|
| 1 | Front panel |
| 2 | 4 front panel fixing screws |
| 3 | Operation key switch |
| 4 | Illuminated light when « on » |
| 5 | Microphone volume button |
| 6 | Aux. volume button |
| 7 | Microphone input XLR plugs |
| 8 | Aux input CINCH plugs |
| 9 | Detection sensitivity button |

Surface
mounting



Flush-
mounting

